

## ICUTRONIC FIT CS I

Compact constant current LED driver – Non dimmable



### Areas of application

- Extra small design for downlights, spotlights and other indoor luminaires
- Suitable for luminaires of protection classes I and II
- Suitable for indoor SELV installations

### Product family benefits

- Small housing for flexible luminaire designs
- Flexible current selection via DIP switch
- Reversible overtemperature, overload, short-circuit and open-circuit protection

### Product family features

- Supply voltage: 220...240 V
- Line frequency: 50 Hz | 60 Hz
- Line voltage: 198...264 V
- According to EN 61347-1, 61347-2-13, 62384
- RI suppression according to CISPR 15
- Line harmonics according to IEC 61000-3-2
- Immunity according to IEC 61547

# Product family datasheet

## Technical data

### Electrical data

Product description	Nominal input voltage	Mains frequency	Input voltage AC	Total harmonic distortion	Power factor $\lambda$
IT FIT 4/220...240/400 CS I	220...240 V	50/60 Hz	198...264 V <sup>1)</sup>	< 10 % <sup>2)</sup>	0.16C...0.85C <sub>3)</sub>
IT FIT 7/220...240/700 CS I	220...240 V	50/60 Hz	198...264 V <sup>1)</sup>	< 10 % <sup>2)</sup>	0.43C...0.95 <sub>3)</sub>
IT FIT 11/220...240/500 CS I	220...240 V	50/60 Hz	198...264 V <sup>1)</sup>	< 10 % <sup>2)</sup>	0.74C...0.95 <sub>3)</sub>
IT FIT 15/220...240/700 CS I	220...240 V	50/60 Hz	198...264 V <sup>1)</sup>	< 10 % <sup>2)</sup>	0.90C...0.95 <sub>3)</sub>

Product description	Efficiency in full-load	Protective conductor current	Inrush current	Max. ECG no. on circuit breaker 10 A (C)	Max. ECG no. on circuit breaker 10 A (B)
IT FIT 4/220...240/400 CS I	75 % <sup>4)</sup>	<0.7 mA	< 10 A	133	133
IT FIT 7/220...240/700 CS I	80 % <sup>4)</sup>	<0.7 mA	< 10 A	78	78
IT FIT 11/220...240/500 CS I	86 % <sup>4)</sup>	<0.7 mA	< 10 A	72	72
IT FIT 15/220...240/700 CS I	86 % <sup>4)</sup>	<0.7 mA	< 10 A	51	51

Product description	Max. ECG no. on circuit breaker 16 A (B)	Max. ECG no. on circuit breaker 16 A (C)	Surge capability (L/N-Ground)	Surge capability (L-N)
IT FIT 4/220...240/400 CS I	213	213	2 kV	1 kV
IT FIT 7/220...240/700 CS I	125	125	2 kV	1 kV
IT FIT 11/220...240/500 CS I	116	116	2 kV	1 kV
IT FIT 15/220...240/700 CS I	82	82	2 kV	1 kV

Product description	Nominal output voltage	U-OUT (working voltage)	Nominal output current	Output current tolerance	Default output current
IT FIT 4/220...240/400 CS I	2.5...10 V	60 V	100 / 200 / 300 / 400 mA <sub>5)</sub>	±10 %	400 mA
IT FIT 7/220...240/700 CS I	2.5...11 V	60 V	350 / 400 / 450 / 500 / 550 / 600 / 650 / 700 mA <sub>7)</sub>	±7.5 %	700 mA
IT FIT 11/220...240/500 CS I	11...21 V	60 V	350 / 400 / 450 / 500 mA <sub>7)</sub>	±7.5 %	500 mA
IT FIT 15/220...240/700 CS I	11...21 V	60 V	550 / 600 / 650 / 700 mA <sub>7)</sub>	±7.5 %	700 mA

## Product family datasheet

Product description	Output ripple current (100 Hz)	Output PSTLM	Output SVM	Nominal output power
IT FIT 4/220...240/400 CS I	< 5 % <sup>6)</sup>	≤1	≤0.4	0.25...4 W
IT FIT 7/220...240/700 CS I	< 5 % <sup>6)</sup>	≤1	≤0.4	0.88...7.7 W
IT FIT 11/220...240/500 CS I	< 5 % <sup>6)</sup>	≤1	≤0.4	3.85...10.5 W
IT FIT 15/220...240/700 CS I	< 5 % <sup>6)</sup>	≤1	≤0.4	6.05...14.7 W

Product description	Maximum output power	Current set
IT FIT 4/220...240/400 CS I	4 W	DipSwitch
IT FIT 7/220...240/700 CS I	7.7 W	DipSwitch
IT FIT 11/220...240/500 CS I	10.5 W	DipSwitch
IT FIT 15/220...240/700 CS I	14.7 W	DipSwitch

1) Safety voltage range

2) At full load, 230 V, 50 Hz / see graphs

3) Full load at 230 V/50 Hz

4) at 230 V, 50 Hz

5) ±10%

6) Ripple average at 100 Hz

7) ±7.5%

### Dimensions & weight

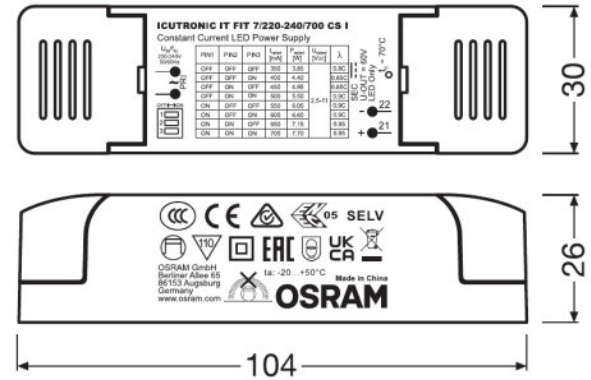
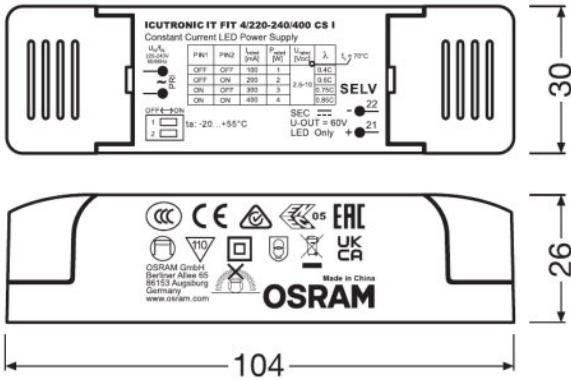
Product description	Mounting hole spacing, length	Mounting hole spacing, width	Product weight	Cable cross-section, input side	Cable cross-section, output side
IT FIT 4/220...240/400 CS I	89.4 mm	22.0 mm	54.00 g	0.5...1.5 / 0.75...1.5 mm <sup>2</sup> 1)	0.5...1.5 / 0.75...1.5 mm <sup>2</sup> 1)
IT FIT 7/220...240/700 CS I	89.4 mm	22.0 mm	54.00 g	0.5...1.5 / 0.75...1.5 mm <sup>2</sup> 1)	0.5...1.5 / 0.75...1.5 mm <sup>2</sup> 1)
IT FIT 11/220...240/500 CS I	89.4 mm	22.0 mm	56.00 g	0.5...1.5 / 0.75...1.5 mm <sup>2</sup> 1)	0.5...1.5 / 0.75...1.5 mm <sup>2</sup> 1)
IT FIT 15/220...240/700 CS I	89.4 mm	22.0 mm	56.00 g	0.5...1.5 / 0.75...1.5 mm <sup>2</sup> 1)	0.5...1.5 / 0.75...1.5 mm <sup>2</sup> 1)

Product description	Wire preparation length, input side	Wire preparation length, output side	Length	Width	Height
IT FIT 4/220...240/400 CS I	7...8 mm	7...8 mm	104.0 mm	30.0 mm	26.0 mm
IT FIT 7/220...240/700 CS I	7...8 mm	7...8 mm	104.0 mm	30.0 mm	26.0 mm
IT FIT 11/220...240/500 CS I	7...8 mm	7...8 mm	104.0 mm	30.0 mm	26.0 mm
IT FIT 15/220...240/700 CS I	7...8 mm	7...8 mm	104.0 mm	30.0 mm	26.0 mm

1) Solid/ Flexible Leads

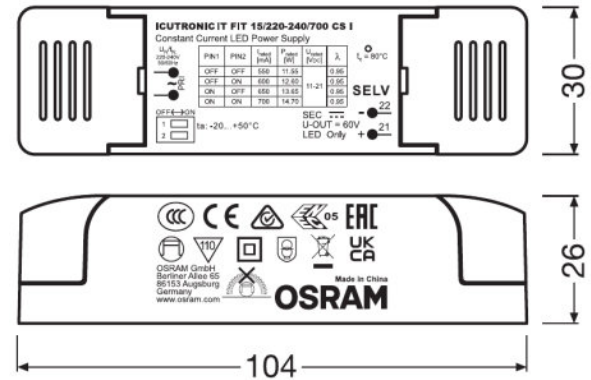
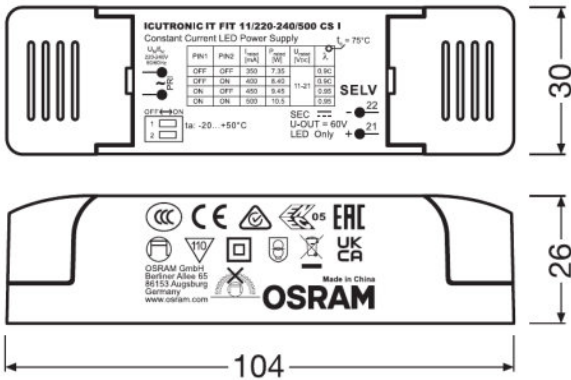
# Product family datasheet

## Product line drawing



IT FIT 4/220...240/400 CS I

IT FIT 7/220...240/700 CS I



IT FIT 11/220...240/500 CS I

IT FIT 15/220...240/700 CS I

## Product family datasheet

### Colors & materials

Product description	Casing material
IT FIT 4/220...240/400 CS I	Plastic
IT FIT 7/220...240/700 CS I	Plastic
IT FIT 11/220...240/500 CS I	Plastic
IT FIT 15/220...240/700 CS I	Plastic

### Temperatures & operating conditions

Product description	Ambient temperature range	Maximum temperature at tc test point	Max.housing temperature in case of fault	Temperature range at storage
IT FIT 4/220...240/400 CS I	-20...+55 °C	70 °C <sup>1)</sup>	110 °C	-40...+85 °C
IT FIT 7/220...240/700 CS I	-20...+50 °C	70 °C <sup>1)</sup>	110 °C	-40...+85 °C
IT FIT 11/220...240/500 CS I	-20...+50 °C	75 °C <sup>1)</sup>	110 °C	-40...+85 °C
IT FIT 15/220...240/700 CS I	-20...+50 °C	80 °C <sup>1)</sup>	110 °C	-40...+85 °C

Product description	Permitted rel. humidity during operation
IT FIT 4/220...240/400 CS I	5...85 % <sup>2)</sup>
IT FIT 7/220...240/700 CS I	5...85 % <sup>2)</sup>
IT FIT 11/220...240/500 CS I	5...85 % <sup>2)</sup>
IT FIT 15/220...240/700 CS I	5...85 % <sup>2)</sup>

<sup>1)</sup> Measured on tc point indicated on the product label.

<sup>2)</sup> Maximum 56 days/year at 85 %

### Lifespan

Product description	ECG lifetime
IT FIT 4/220...240/400 CS I	50000 h <sup>1)</sup>
IT FIT 7/220...240/700 CS I	50000 h <sup>1)</sup>
IT FIT 11/220...240/500 CS I	50000 h <sup>1)</sup>
IT FIT 15/220...240/700 CS I	50000 h <sup>1)</sup>

<sup>1)</sup> At maximum  $T_c = 70^\circ\text{C}$  / 10% failure rate

### Additional product data

Product description	Encapsulated
IT FIT 4/220...240/400 CS I	No
IT FIT 7/220...240/700 CS I	No
IT FIT 11/220...240/500 CS I	No
IT FIT 15/220...240/700 CS I	No

## Product family datasheet

### Capabilities

Product description	Dimmable	Overheating protection	Overload protection
IT FIT 4/220...240/400 CS I	No	Automatic reversible	Automatic reversible
IT FIT 7/220...240/700 CS I	No	Automatic reversible	Automatic reversible
IT FIT 11/220...240/500 CS I	No	Automatic reversible	Automatic reversible
IT FIT 15/220...240/700 CS I	No	Automatic reversible	Automatic reversible

Product description	Short-circuit protection	No-load proof	Intended for no-load operation	Max. cable length to lamp/LED module
IT FIT 4/220...240/400 CS I	Automatic reversible	Yes	No	2.0 m <sup>1)</sup>
IT FIT 7/220...240/700 CS I	Automatic reversible	Yes	No	2.0 m <sup>1)</sup>
IT FIT 11/220...240/500 CS I	Automatic reversible	Yes	No	2.0 m <sup>1)</sup>
IT FIT 15/220...240/700 CS I	Automatic reversible	Yes	No	2.0 m <sup>1)</sup>

Product description	Suitable for fixtures with prot. class	Type of connection, input side	Type of connection, output side
IT FIT 4/220...240/400 CS I	I / II	Push terminal	Push terminal
IT FIT 7/220...240/700 CS I	I / II	Push terminal	Push terminal
IT FIT 11/220...240/500 CS I	I / II	Push terminal	Push terminal
IT FIT 15/220...240/700 CS I	I / II	Push terminal	Push terminal

Product description	Number of channels	Control interface	Suitable for through-wiring
IT FIT 4/220...240/400 CS I	1	-	No
IT FIT 7/220...240/700 CS I	1	-	No
IT FIT 11/220...240/500 CS I	1	-	No
IT FIT 15/220...240/700 CS I	1	-	No

<sup>1)</sup> Output wires must be routed as close as possible to each other

### Programming

Product description	Programming device
IT FIT 4/220...240/400 CS I	DIPswitch
IT FIT 7/220...240/700 CS I	DIPswitch
IT FIT 11/220...240/500 CS I	DIPswitch
IT FIT 15/220...240/700 CS I	DIPswitch

## Product family datasheet

### Certificates & standards

Product description	Approval marks – approval	Standards	Type of protection	Protection class
IT FIT 4/220...240/400 CS I	ENEC 05 / CCC / CE / RCM	Acc. to IEC 61347-1/Acc. to IEC 61347-2-13/Acc. to IEC 62384/Acc. to IEC 61000-3-2/Acc. to IEC 61000-3-3/Acc. to IEC 61547	IP20	II
IT FIT 7/220...240/700 CS I	ENEC 05 / CCC / CE / RCM	Acc. to IEC 61347-1/Acc. to IEC 61347-2-13/Acc. to IEC 62384/Acc. to IEC 61000-3-2/Acc. to IEC 61000-3-3/Acc. to IEC 61547	IP20	II
IT FIT 11/220...240/500 CS I	ENEC 05 / CCC / CE / RCM	Acc. to IEC 61347-1/Acc. to IEC 61347-2-13/Acc. to IEC 62384/Acc. to IEC 61000-3-2/Acc. to IEC 61000-3-3/Acc. to IEC 61547	IP20	I,II
IT FIT 15/220...240/700 CS I	ENEC 05 / CCC / CE / RCM	Acc. to IEC 61347-1/Acc. to IEC 61347-2-13/Acc. to IEC 62384/Acc. to IEC 61000-3-2/Acc. to IEC 61000-3-3/Acc. to IEC 61547	IP20	II

### Logistical data

Product description	Commodity code
IT FIT 4/220...240/400 CS I	85044083900
IT FIT 7/220...240/700 CS I	85044083900
IT FIT 11/220...240/500 CS I	85044083900
IT FIT 15/220...240/700 CS I	85044083900

### Environmental information Information according Art. 33 of EU Regulation (EC) 1907/2006 (REACH)

Product description	Date of Declaration	Primary Article Identifier	Candidate List Substance 1
IT FIT 4/220...240/400 CS I	25-08-2023	4062172199261	Lead
IT FIT 7/220...240/700 CS I	25-08-2023	4062172199285	Lead
IT FIT 11/220...240/500 CS I	16-08-2023	4062172199308	Lead
IT FIT 15/220...240/700 CS I	29-05-2023	4062172199322	Lead

## Product family datasheet

Product description	CAS No. of substance 1	Safe Use Instruction	Declaration No. in SCIP database
IT FIT 4/220...240/400 CS I	7439-92-1	The identification of the Candidate List substance is sufficient to allow safe use of the article.	00829e4f-973d-4b61-849b-cff8a7affa3d
IT FIT 7/220...240/700 CS I	7439-92-1	The identification of the Candidate List substance is sufficient to allow safe use of the article.	ff5c0fd7-147e-4fa8-94c1-5aae8173fd55
IT FIT 11/220...240/500 CS I	7439-92-1	The identification of the Candidate List substance is sufficient to allow safe use of the article.	84f084ee-e7fc-40de-8996-907cf422a9d5
IT FIT 15/220...240/700 CS I	7439-92-1	The identification of the Candidate List substance is sufficient to allow safe use of the article.	a3d39858-0cb2-4619-aba4-afc5e626d767









### Application advice

For more detailed application information and graphics please see product datasheet.

### Sales and Technical Support

— Sales and Technical Support [www.osram.com](http://www.osram.com)

### Download Data

File	
	User instruction ICUTRONIC LED Power Supply
	Certificates IT FIT CS I RCM NSW28523 070621
	Certificates IT FIT CS I RCM NSW28523 1 070621
	Certificates IT FIT CS I CB NL72664 070621
	Certificates IT FIT CS I ENEC 35 118614 070621
	CAD data IT FIT CS I IGS 210521
	CAD data IT FIT CS I STEP 210521
	CAD data 3-dim IT FIT CS I CAD3PDF 210521



## Product family datasheet

### Ecodesign regulation information:

Intended for use with LED modules.

The forward voltage of the LED light source shall be within the defined operating window of the control gear in all operating conditions including dimming if applicable.

Separate control gear and light sources must be disposed of at certified disposal companies in accordance with Directive 2012/19/EU (WEEE) in the EU and with Waste Electrical and Electronic Equipment (WEEE) Regulations 2013 in the UK. For this purpose, collection points for recycling centres and take-back systems (CRSO) are available from retailers or private disposal companies, which accept separate control gear and light sources free of charge. In this way, raw materials are conserved and materials are recycled.

### Logistical Data

Product code	Product description	Packaging unit (Pieces/Unit)	Dimensions (length x width x height)	Volume	Gross weight
4062172199261	IT FIT 4/220...240/400 CS I	Shipping carton box 20	220 mm x 162 mm x 75 mm	2.67 dm <sup>3</sup>	1165.00 g
4062172199285	IT FIT 7/220...240/700 CS I	Shipping carton box 20	220 mm x 162 mm x 75 mm	2.67 dm <sup>3</sup>	1165.00 g
4062172199308	IT FIT 11/220...240/500 CS I	Shipping carton box 20	220 mm x 162 mm x 75 mm	2.67 dm <sup>3</sup>	1205.00 g
4062172199322	IT FIT 15/220...240/700 CS I	Shipping carton box 20	220 mm x 162 mm x 75 mm	2.67 dm <sup>3</sup>	1205.00 g

The mentioned product code describes the smallest quantity unit which can be ordered. One shipping unit can contain one or more single products. When placing an order, for the quantity please enter single or multiples of a shipping unit.

### Disclaimer

Subject to change without notice. Errors and omission excepted. Always make sure to use the most recent release.